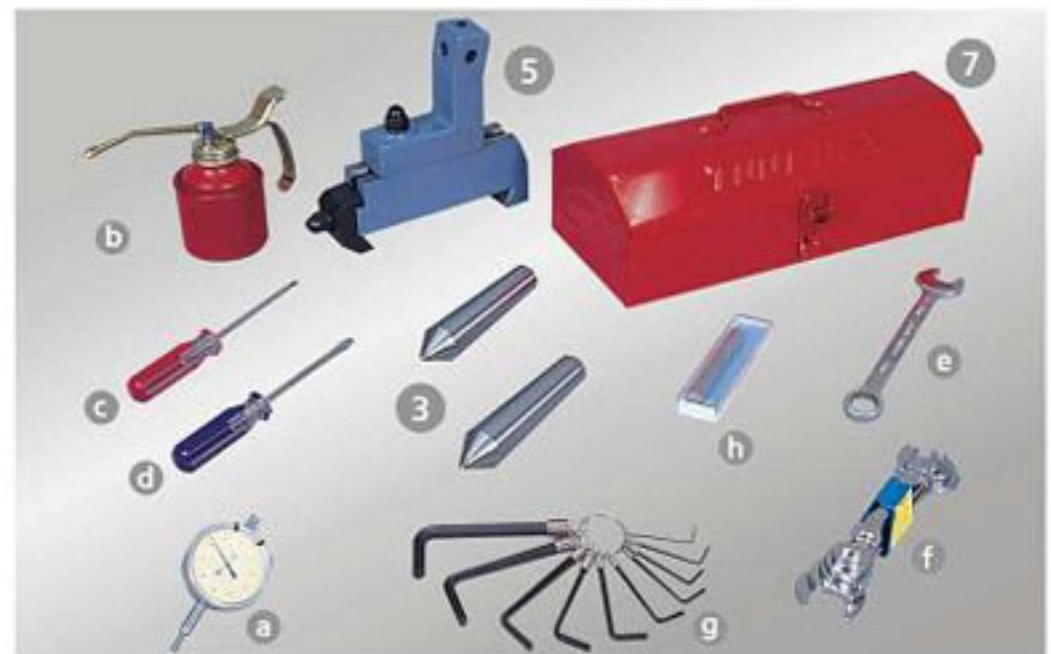
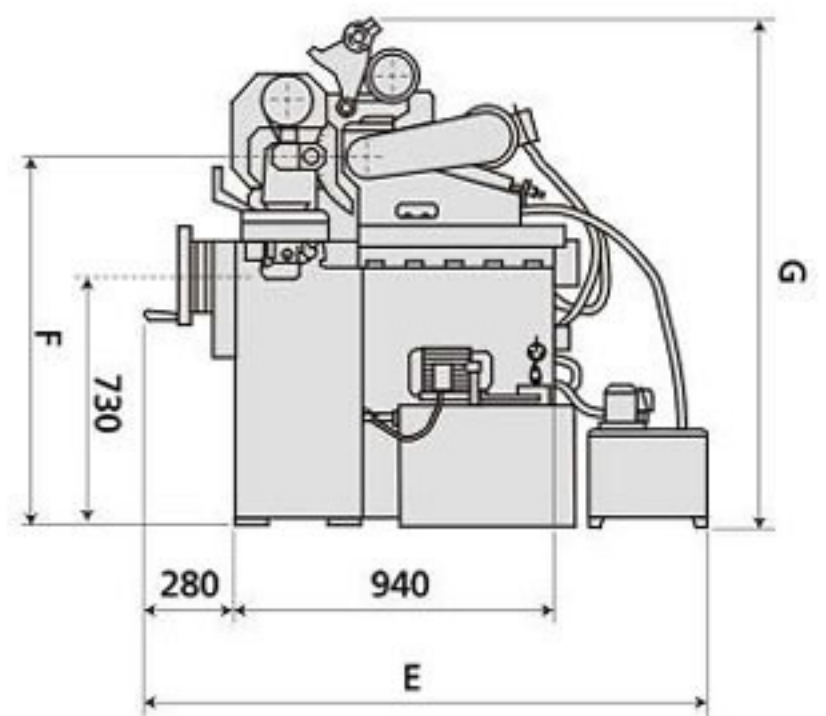
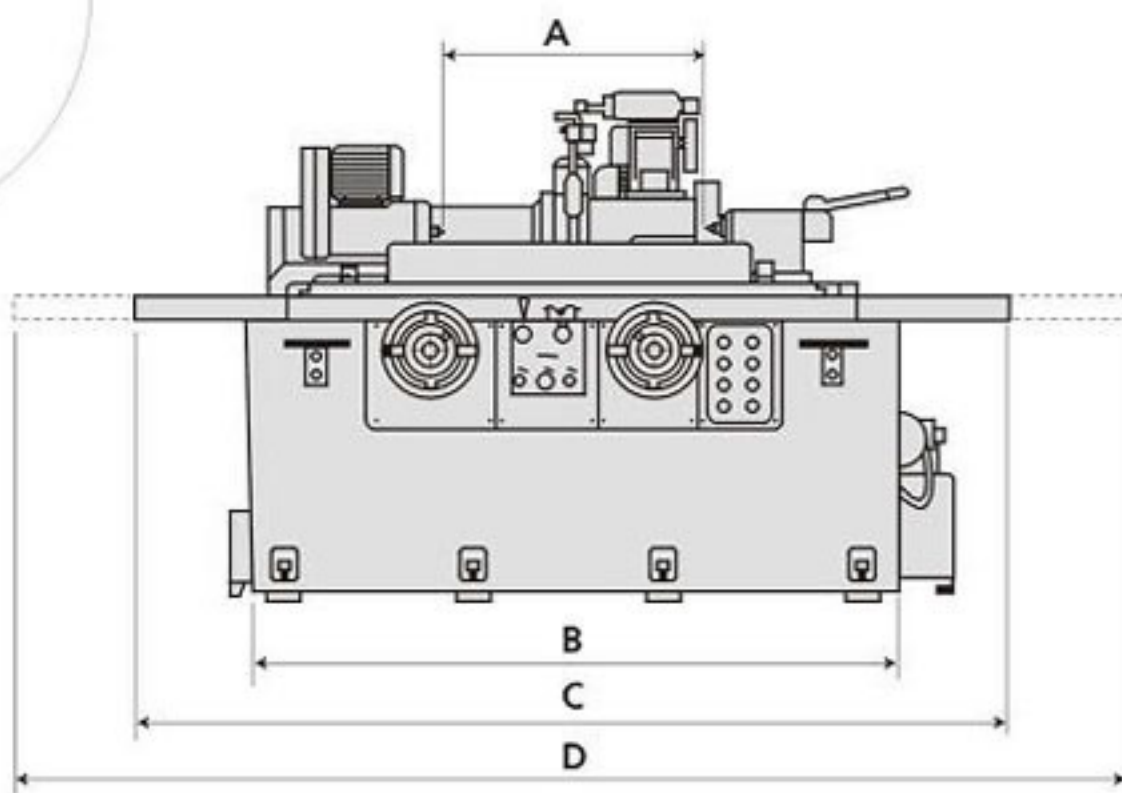


STANDARD ACCESSORIES

- Extractor 1 set
- Wheel balancing arbor 1 set
- Tungsten carbide full center 2 pcs
- Lubricant supply unit 1 set
- Dressing holder 1 set
- Table swiveling angle measuring device 1 set
- Tool box 1 set
 - a. Dial indicator 1 pc
 - b. Oil can 1 pc
 - c. Screw driver 1 pc
 - d. Cross driver 1 pc
 - e. Zigzag open wrench #19 1 pc
 - f. Open wrench 6 pcs
 - g. Hex. key wrench 10 pcs
 - h. Diamond dresser 1 pc
- Grinding wheel and wheel flange 1 set
- Standard coolant supply unit 1 set
- Coolant splash guard 1 set
- Operational manual, parts manual and inspection report 1 set



MACHINE DIMENSIONS



Unit: mm

	A	B	C	D	E	F	G
G27-40	400	1360	1770	2120	1980	1080	1600
G27-55	550	1560	2200	2750	1980	1080	1600
G35-55	550	1560	2200	2750	1980	1120	1650
G27-75	750	1900	2720	3470	2000	1080	1600
G35-75	750	1900	2720	3470	2000	1120	1650
G30-100	1000	2800	4000	5000	2040	1065	1600
G38-100	1000	2800	4000	5000	2040	1105	1650