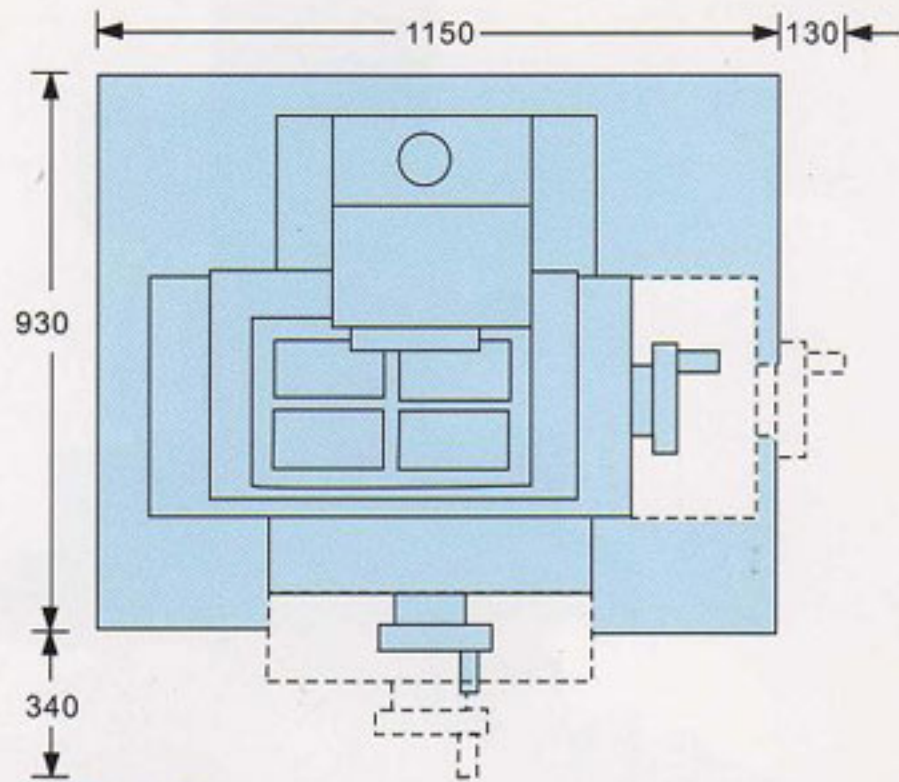
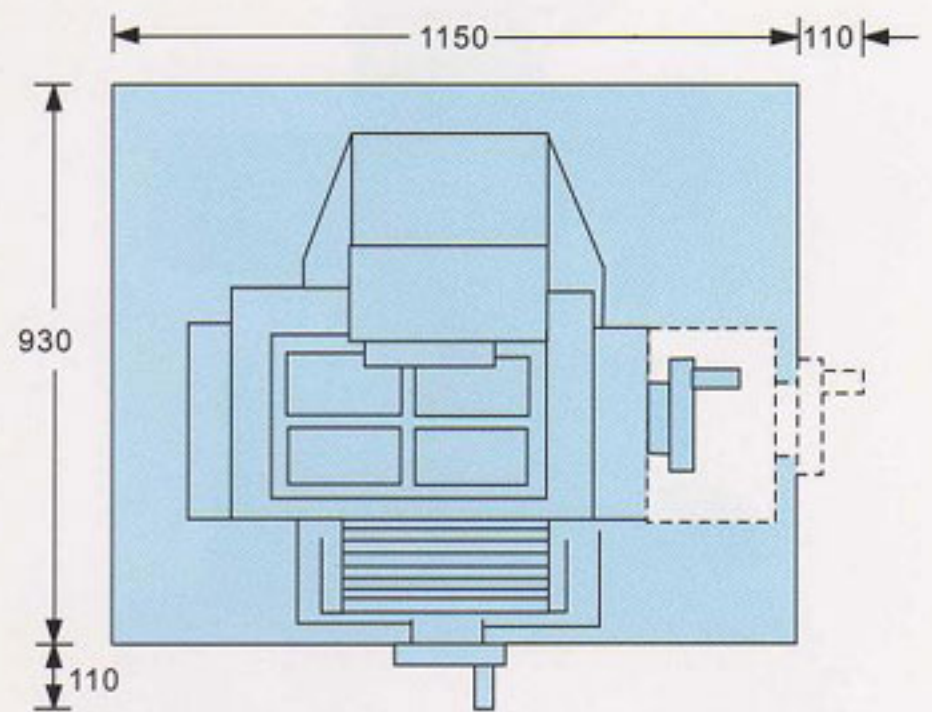


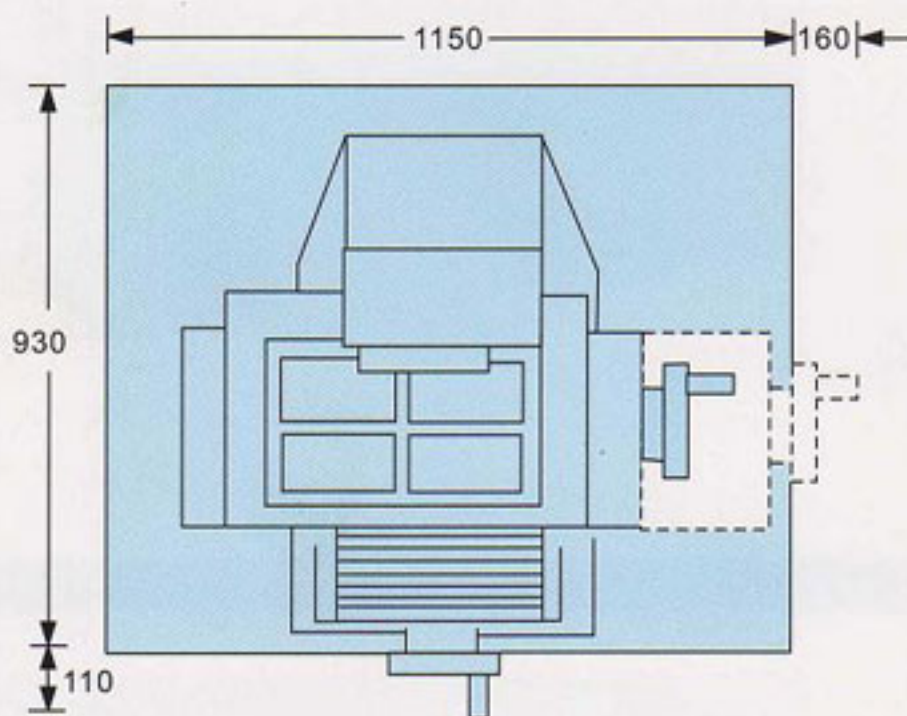
FLOOR AREA REQUIRED



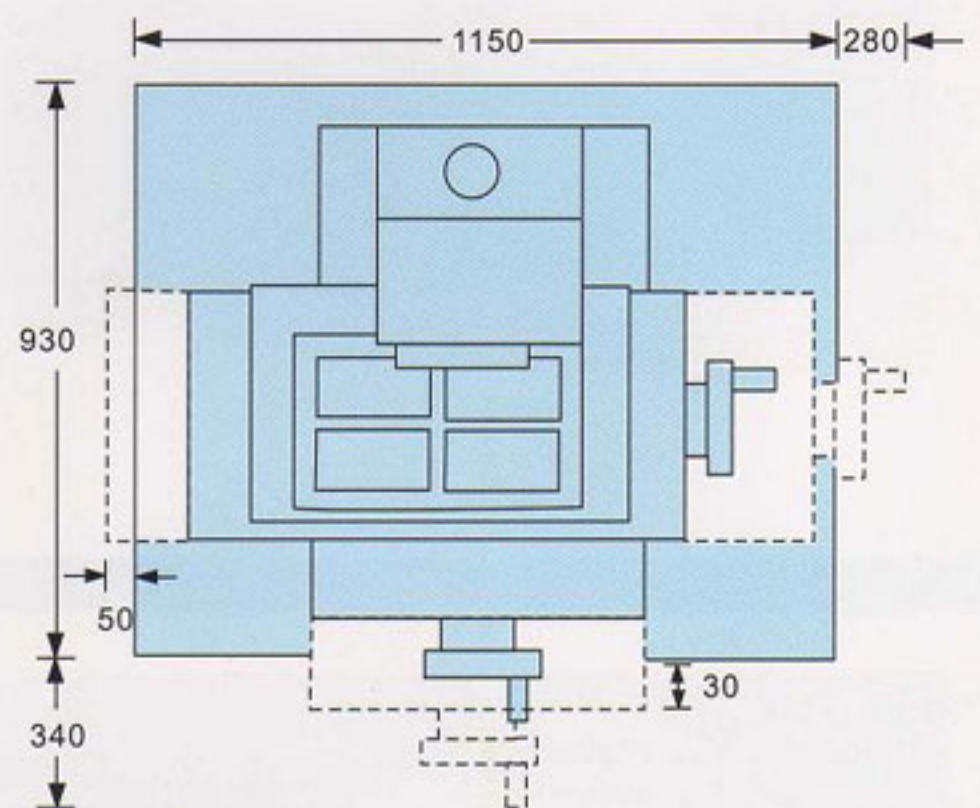
• SD16B



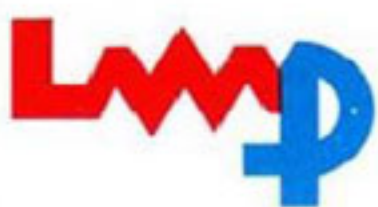
• SD20/SD22



• SD24/SD25



• SD34



林寶機械貿易私人有限公司

LIM POH MACHINERY TRADING PTE LTD

NO. 111, UBI AVE 4, CIVIC TERRACE WAREHOUSE, SINGAPORE 408761.

E-mail: enquiry@limpoh.com Website: <http://www.limpoh.com>

TEL: 6846 1138 FAX: 6841 2832

GST Reg.No. M2-0067812-5 Business Reg.No. 198404054E