

# 規格 / SPECIFICATION

項目/ITEM	型號/MODEL	單位 / UNIT	WJR-1612DH	WJR-1612DHA	WJR-1312DH	WJR-1312DHA	
主軸中心至機柱中心距離 Distance between center of spindle and column		最大 Max. (A) mm 最小 Max. (B) mm	1810 (71-1/4") 535 (21-1/16")	1810 (71-1/4") 535 (21-1/16")	1510 (59-7/16") 535 (21-1/16")	1510 (59-7/16") 535 (21-1/16")	
主軸中心至機柱表面距離 Distance between spindle center & column end		最大 Max. (C) mm 最大 Max. (D) mm	1635 (64-3/8") 360 (14-5/32")	1635 (64-3/8") 360 (14-5/32")	1335 (52-9/16") 360 (14-5/32")	1335 (52-9/16") 360 (14-5/32")	
主軸下端至機台表面距離 Distance between spindle bottom & base top		最大 Max. (F) mm 最大 Max. (G) mm	1395 (54-7/8") 385 (15-5/32")	1395 (54-7/8") 385 (15-5/32")	1395 (54-7/8") 385 (15-5/32")	1395 (54-7/8") 385 (15-5/32")	
機柱直徑 Dia. of column		(J) mm	350 (13-25/32")	350 (13-25/32")	350 (13-25/32")	350 (13-25/32")	
機柱高度 Height of column		(K) mm	2695 (106-1/8")	2695 (106-1/8")	2695 (106-1/8")	2695 (106-1/8")	
主軸上端至機台底面最大距離 Max. distance between spindle top & bottom of base		(L) mm	3100 (122-1/16")	3100 (122-1/16")	3100 (122-1/16")	3100 (122-1/16")	
機台面積 Machine area		(M x N) mm	2400 x 840 (94-7/16" x 33-1/8")	2400 x 1140 (94-7/16" x 44-7/8")	2100 x 840 (82-5/8" x 33-1/8")	2100 x 1140 (82-5/8" x 44-7/8")	
佔地面積 Floor space		mm	2670 x 1140 (105-1/8" x 44-7/8")	2670 x 1440 (105-1/8" x 56-11/16")	2370 x 1140 (93-5/16" x 44-7/8")	2100 x 1440 (93-5/16" x 56-11/16")	
機台厚度 Thickness of base		(T) mm	195 (7-21/32")	195 (7-21/32")	195 (7-21/32")	195 (7-21/32")	
主軸頭左右移動距離 Spindle unit traverse		(M) mm	1275 (50-3/16")	1275 (50-3/16")	975 (38-3/8")	975 (38-3/8")	
旋臂上下移動距離 Radial arm traverse		(E) mm	720 (28-11/32")	720 (28-11/32")	720 (28-11/32")	720 (28-11/32")	
主軸上下行程 Spindle up & down traverse		(H) mm	300 (11-13/16")	300 (11-13/16")	300 (11-13/16")	300 (11-13/16")	
主軸直徑 Dia. of spindle		(排齒管 / 主軸) mm (Cylindrical rack / spindle)	105/80 (4-1/8"/3-1/8")	105/80 (4-1/8"/3-1/8")	105/80 (4-1/8"/3-1/8")	105/80 (4-1/8"/3-1/8")	
主軸孔 Spindle bore		M.T.	No.5	No.5	No.5	No.5	
機台工作面大小 Worktable size		mm	1750 x 825 (68-7/8" x 32-1/2")	1750 x 1125 (68-7/8" x 44-1/2")	1480 x 825 (58-17/64" x 32-1/2")	1480 x 1125 (58-17/64" x 44-1/2")	
主軸驅動馬達 Spindle motor		kw	5.5 (7.5 HP)	5.5 (7.5 HP)	3.7 (5 HP)	3.7 (5 HP)	
旋臂升降馬達 Spindle unit traverse		kw	1.5 (2HP)	1.5 (2HP)	1.5 (2HP)	1.5 (2HP)	
夾緊動作馬達 Motor for clamping		kw	0.75 (1HP)	0.75 (1HP)	0.75 (1HP)	0.75 (1HP)	
主軸進給範圍 Spindle feeding range		mm (°)/rev	0.06-1.12 (0.0023"-0.044")	0.06-1.12 (0.0023"-0.044")	0.06-1.12 (0.0023"-0.044")	0.06-1.12 (0.0023"-0.044")	
		段 (section)	12	12	12	12	
主軸回轉速 Spindle RPM		(60Hz) rpm	30-1580	30-1580	30-1580	30-1580	
		(50Hz) rpm	25-1316	25-1316	25-1316	25-1316	
		段 (section)	12	12	12	12	
工作能量 Machining capacity	鑽孔 drilling 搪孔 boring 攻牙 tapping	鑄鐵/鋼 Cast iron/steel	66/56 (2-5/8"/2-1/4") 186/126 (7-3/8"/5") 60/50 (2-3/8"/2")	66/56 (2-5/8"/2-1/4") 186/126 (7-3/8"/5") 60/50 (2-3/8"/2")	60/50 (2-3/8"/2") 180/120 (7/4-3/4") 60/50 (2-3/8"/2")	60/50 (2-3/8"/2") 180/120 (7/4-3/4") 60/50 (2-3/8"/2")	
		工作台尺寸 Table size (LxWxH)	mm	805x505x365	805x505x365	805x505x365	805x505x365
		淨重/毛重 N.W / G.W	kg/lbs.	4000 (8800) 4600 (10120)	4300 (9460) 5000 (11000)	3500 (7700) 4000 (8800)	3800 (8360) 4400 (9680)
裝箱尺寸 Packing size		mm	2600x985x2550 103"x40"x101"	2600x1285x2550 103"x52"x101"	2300x985x2550 91"x40"x101"	2300x1285x2550 91"x52"x101"	

\*本公司保留隨時修改上述規格之權利。 \*Specification are subject to change without notice.

## 標準附件

- ▼冷卻泵浦
- ▼工作燈
- ▼標準工作台
- ▼調整工具

## STANDARD EQUIPMENT

- ▼Coolant Pump
- ▼Work Light
- ▼Standard working table
- ▼Adjusting Tools

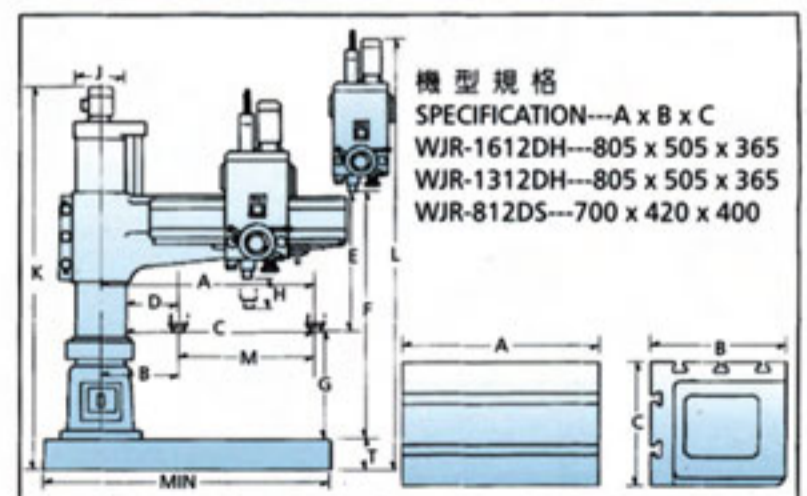
## 特殊附件

- ▼夾持工具
- ▼快速攻牙器

## OPTIONAL EQUIPMENT

- ▼Clamping Kit
- ▼Rapid Tapping Unit

## 尺寸圖/ DIMENSIONS



林寶機械貿易私人有限公司

LIM POH MACHINERY TRADING PTE LTD

NO. 111, UBI AVE 4, CIVIC TERRACE WAREHOUSE SINGAPORE 408761.

E-mail: enquiry@limpoh.com Website: http://www.limpoh.com

TEL: 6846 1138 FAX: 6846 2832 H/P: 9788 0138