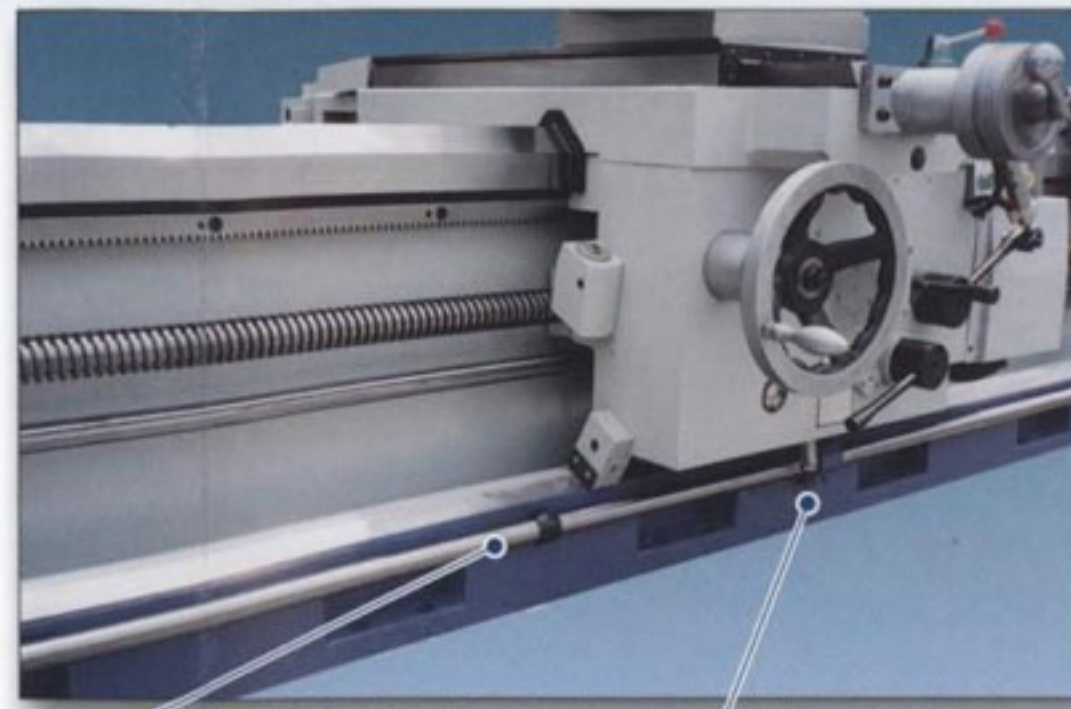
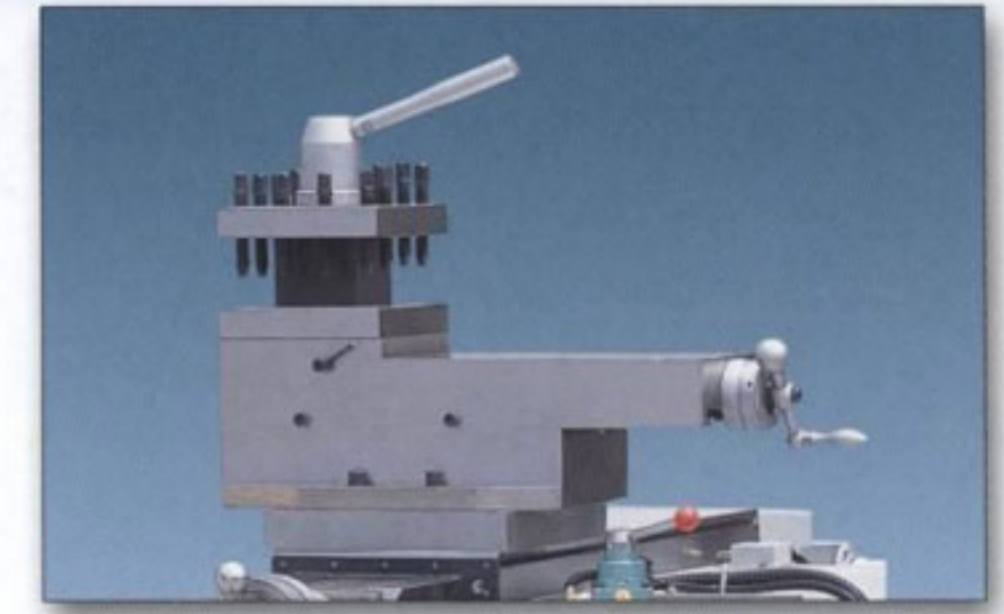


▶ 雙夾頭 Double Chuck.



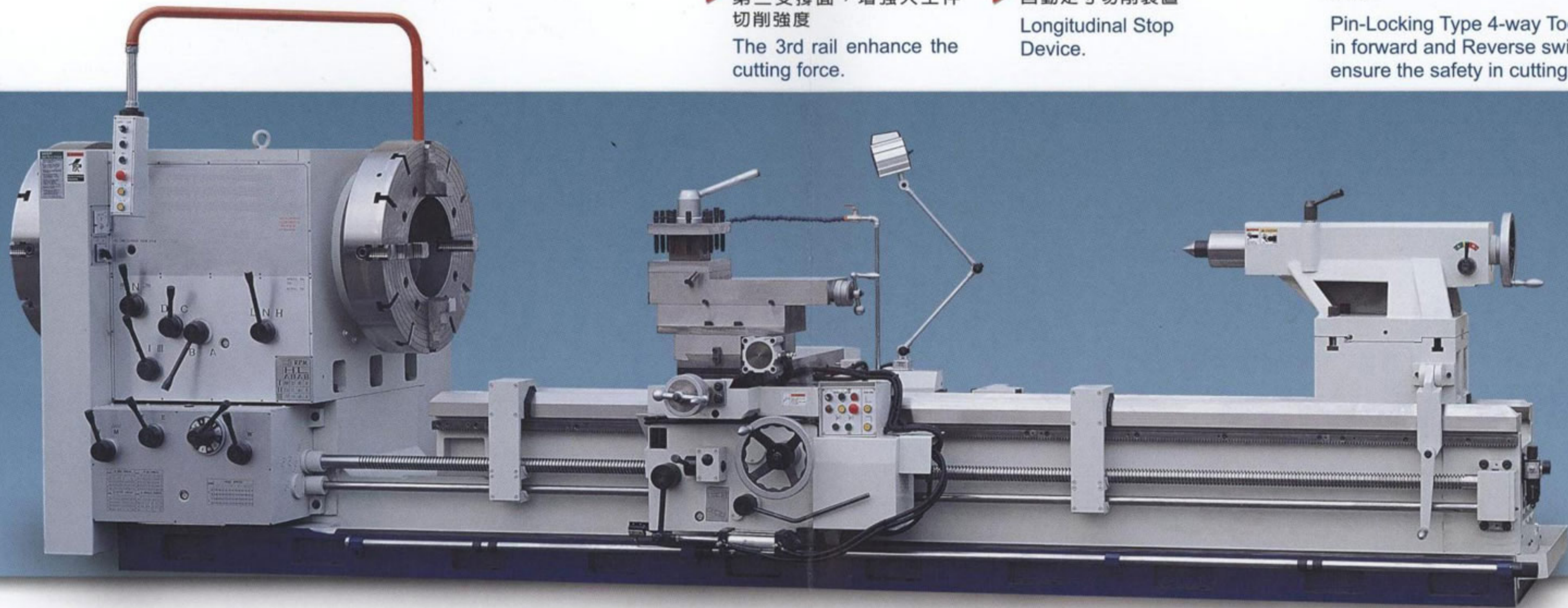
▶ 第三支撐面，增強大工件
切削強度
The 3rd rail enhance the
cutting force.

▶ 自動定寸切削裝置
Longitudinal Stop
Device.



▶ 四方刀架為插梢式，可防止四方刀架反
向切削時滑動以確保安全，正反向轉動
方便

Pin-Locking Type 4-way Tool post, easy
in forward and Reverse swiveling, also
ensure the safety in cutting.

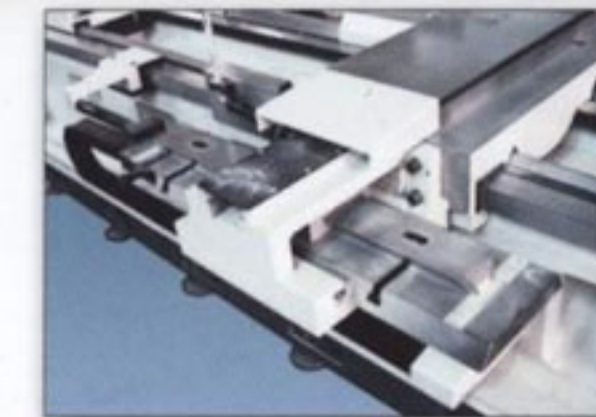


標準附件	STANDARD ACCESSORIES
主馬達	Main Motor
自動潤滑系統	Auto - Lubrication System
冷卻系統	Coolant System
四方刀架	4-Way Tool Post
X, Z軸快送	X, Z Axes Rapid Traverse.
公英制兩用齒輪箱	Meter / Inch Community Gear Box
電磁煞車	Magnetic Brake
床面硬化、研磨	Guide Way Hardened, Grinder, & Wiper
尾座頂針	Tailstock Center
操作維修手冊	Operation Service Manual
工具箱	Tool Box
水平螺絲、墊塊	Leveling Bolts & Pads

選購配件	OPTIONAL ACCESSORIES
3爪夾頭	3 - Jaw Chuck
4爪夾頭	4 - Jaw Chuck
雙夾頭系統	Double Chuck System
4爪花盤	4 - Jaw Face Plate
中心架	Steady Rest
跟刀架	Follow Rest
後支撐架	Rear Supporting Stand
快換刀架	Quick Change Tool Post
後刀架	Rear Tool Post
鏜孔座	Boring Device
斜度附件	Taper Attachment
氣動快速車牙裝置	Pneumatic Rapid Threading Device
光學尺	Digital Readout



▶ 氣動式快速車牙裝置
Pneumatic Rapid Threading
Device.



▶ 斜度附件
Taper Attachment.



▶ 中心架
Steady Rest.