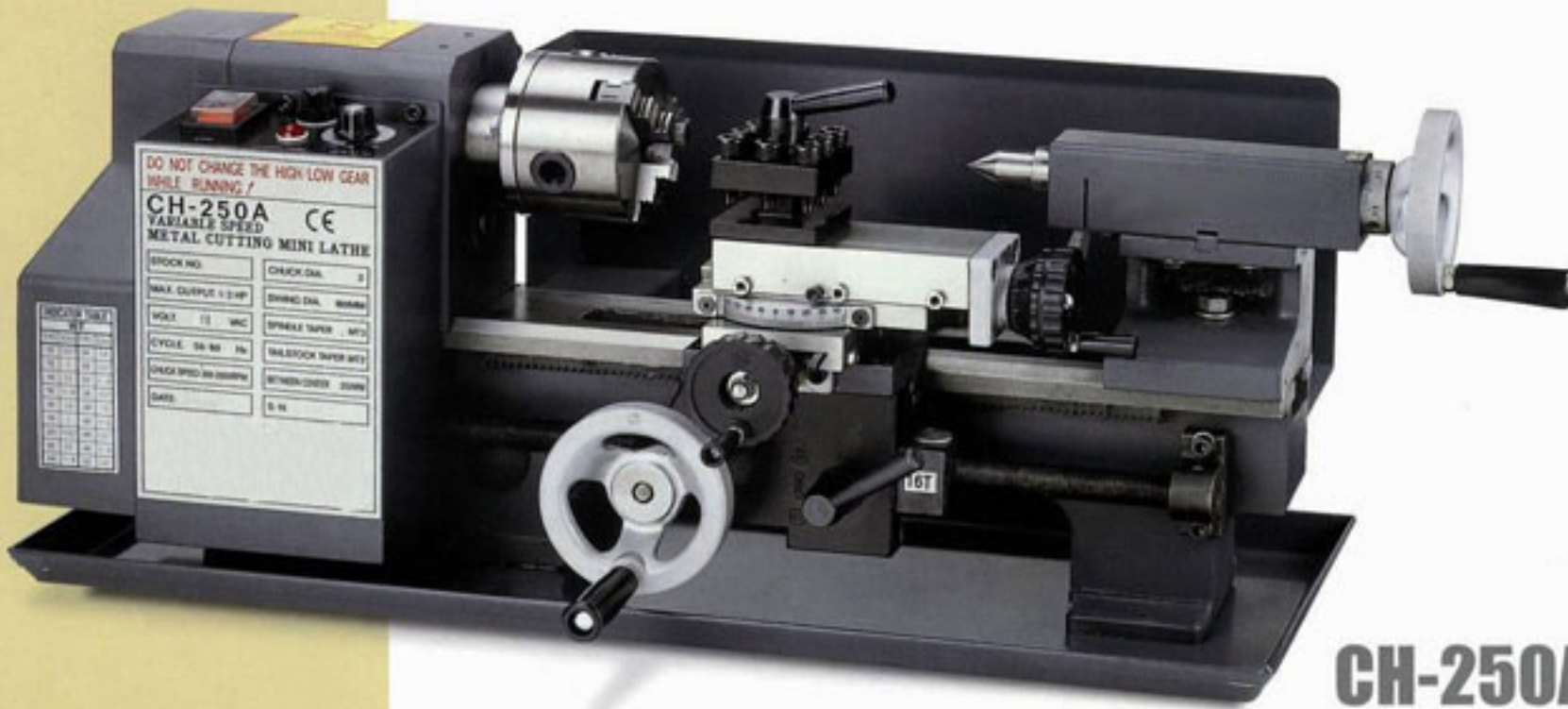


**CH-250A**

# METAL CUTTING TABLE LATHE

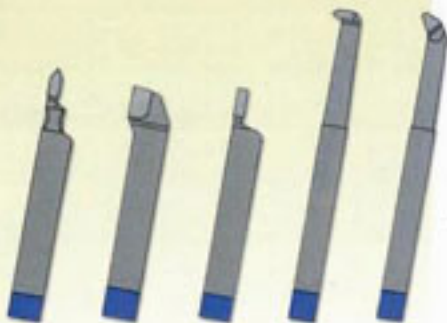
## VARIABLE SPEED

**CH-250A****STANDARD ACCESSORIES:**

- |                           |                  |
|---------------------------|------------------|
| 1. Change gear sets       | 4. Handle        |
| 2. Hexagon wrench (4 pcs) | 5. 3-jaws wrench |
| 3. 3-jaws                 | 6. Spanner       |

**OPTIONAL ACCESSORIES:**

- |  |
|--|
| 1. MT2 drill chuck (10 mm)                         |
| 2. 4-jaw independent chuck 3" (80 mm)              |
| 3. MT2 rolling center                              |
| 4. Standard-type tungsten steel lathe tool (5 pcs) |

**STANDARD:** Chip Tray and Rear Splash Guard**SPECIFICATIONS:**

Nominal Size	Swing over bed: 180 mm (7") Swing over cross slide: 100 mm (4") Distance between center: 250 mm (10")
Bed	Width of the bed face: 83 mm (3-2/8") Total length of the bed: 400 mm (15-3/4")
Spindle	Spindle bore: 20 mm (13/16") 3-Jaw chuck spindle bore: 16 mm (5/8") Taper of spindle bore: M.T.No.3 Number of spindle speeds: Vari / speed Range of spindle speeds: R.P.M. From 300 to 2900 R.P.M.
Thread	Lead screw: 16mm (5/8") Dia. × 16 T.P.I. or 1.5 mm pitch Inch threads: 12 ~ 52 T.P.I. Metric threads: 0.25 ~ 1.5 mm pitch
Tool Slide	Cross slide travel: 75 mm (3") Compound rest travel: 50 mm (2") Max. size cutting tool: 12 mm × 12 mm (1/2")
Tail Stock	Spindle travel: 42 mm (1-21/32") Taper of center: M.T.No.2
Max. Output	200W (DC motor)
Machine Dimensions	600 mm × 300 mm × 270 mm (L × W × H)
Packing	Net weight: 32 kgs Gross weight: 34kgs CU.FT: 2.9' 660 mm × 330 mm × 370 mm (L × W × H)

\* All specifications and designs are subject to change without notice.

**林寶機械貿易私人有限公司****LIM POH MACHINERY TRADING PTE LTD**

NO. 111, UBI AVE 4, CIVIC TERRACE WAREHOUSE, SINGAPORE 408761.

E-mail: enquiry@limpoh.com Website: http://www.limpoh.com

TEL: 6846 1138 FAX: 6841 2832

GST Reg. No. M2-0067812-5 Business Reg. No. 198404054E