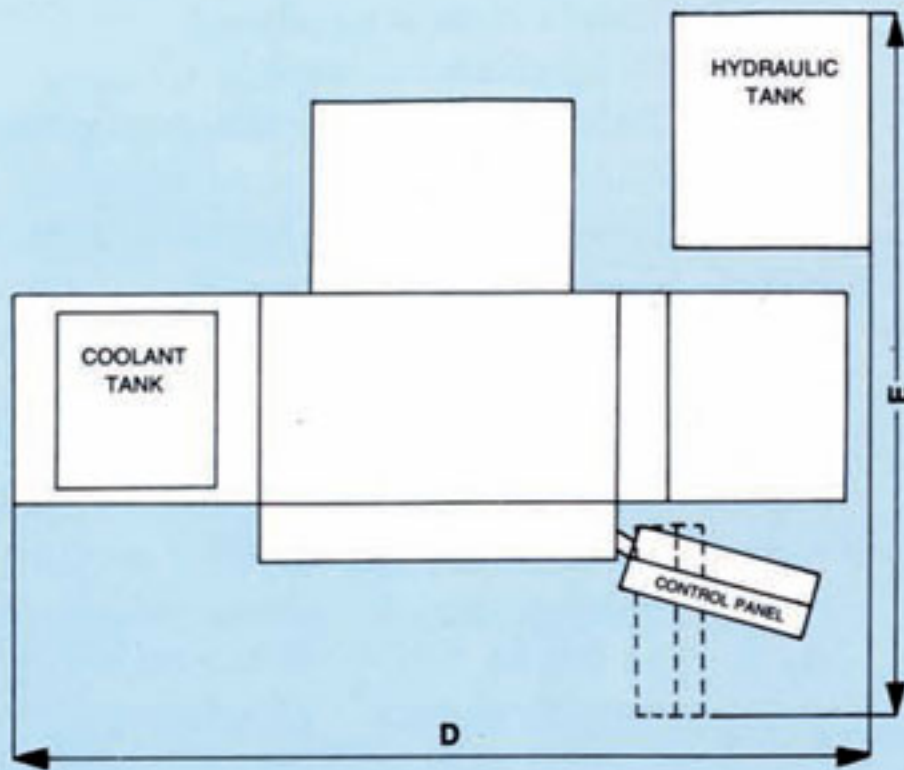
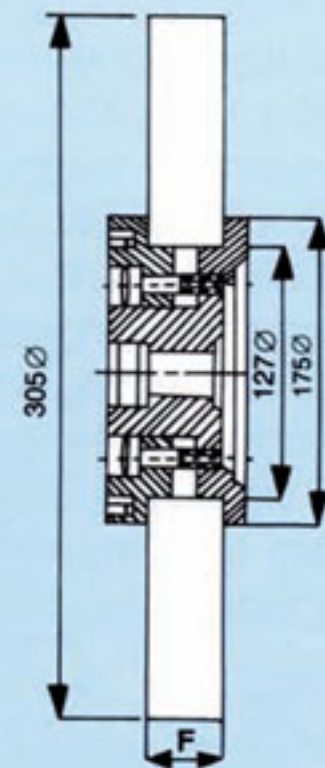


HIGH PRECISION SURFACE GRINDING MACHINE

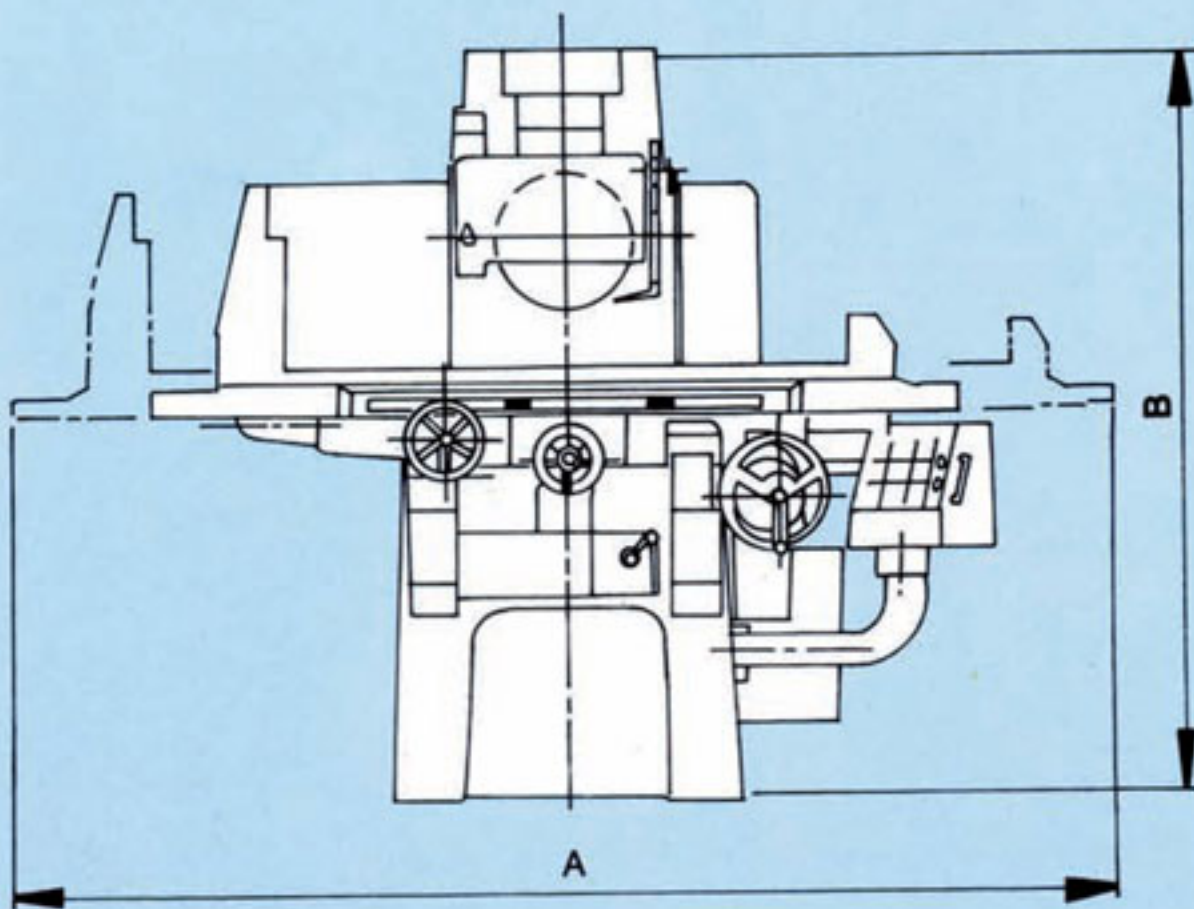
TOP VIEWS



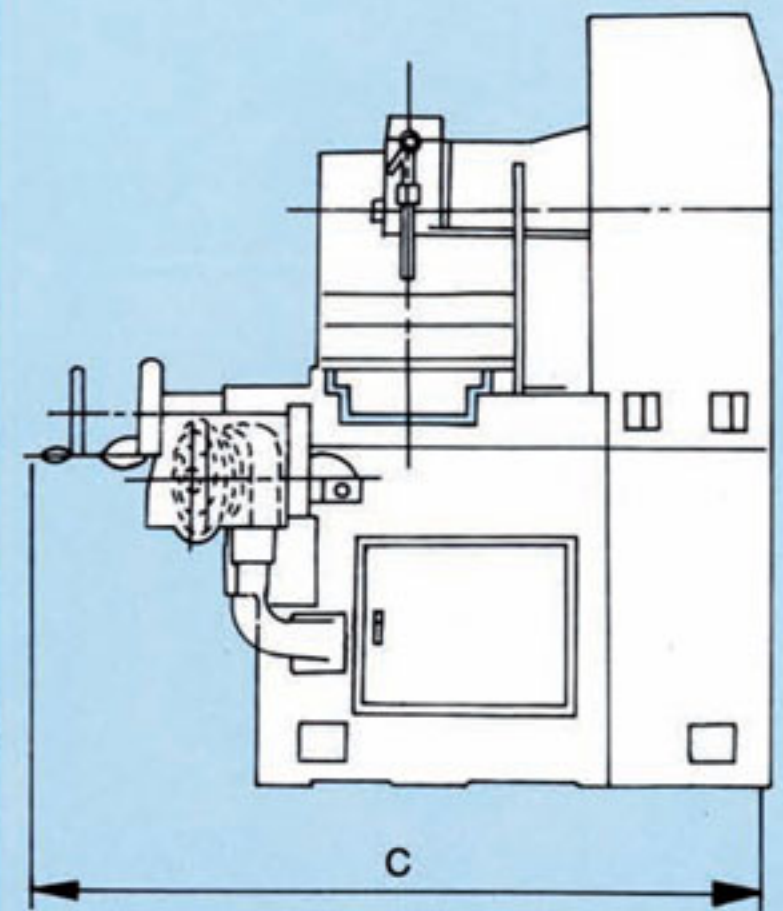
GRINDING WHEEL



FRONT VIEWS



SIDE VIEWS



MODEL	A	B	C	D	E	F
1020	2240	1850	1720	2300	2020	32
1024	2340	1850	1720	2500	2400	32