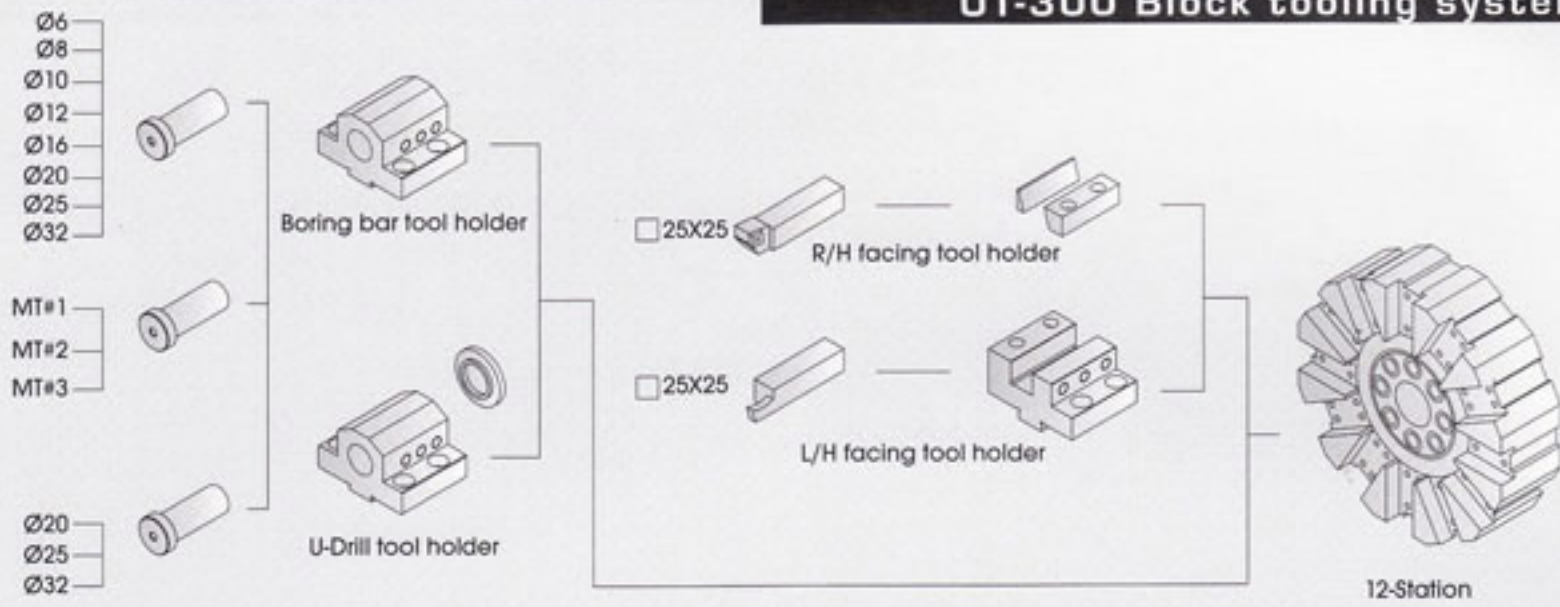
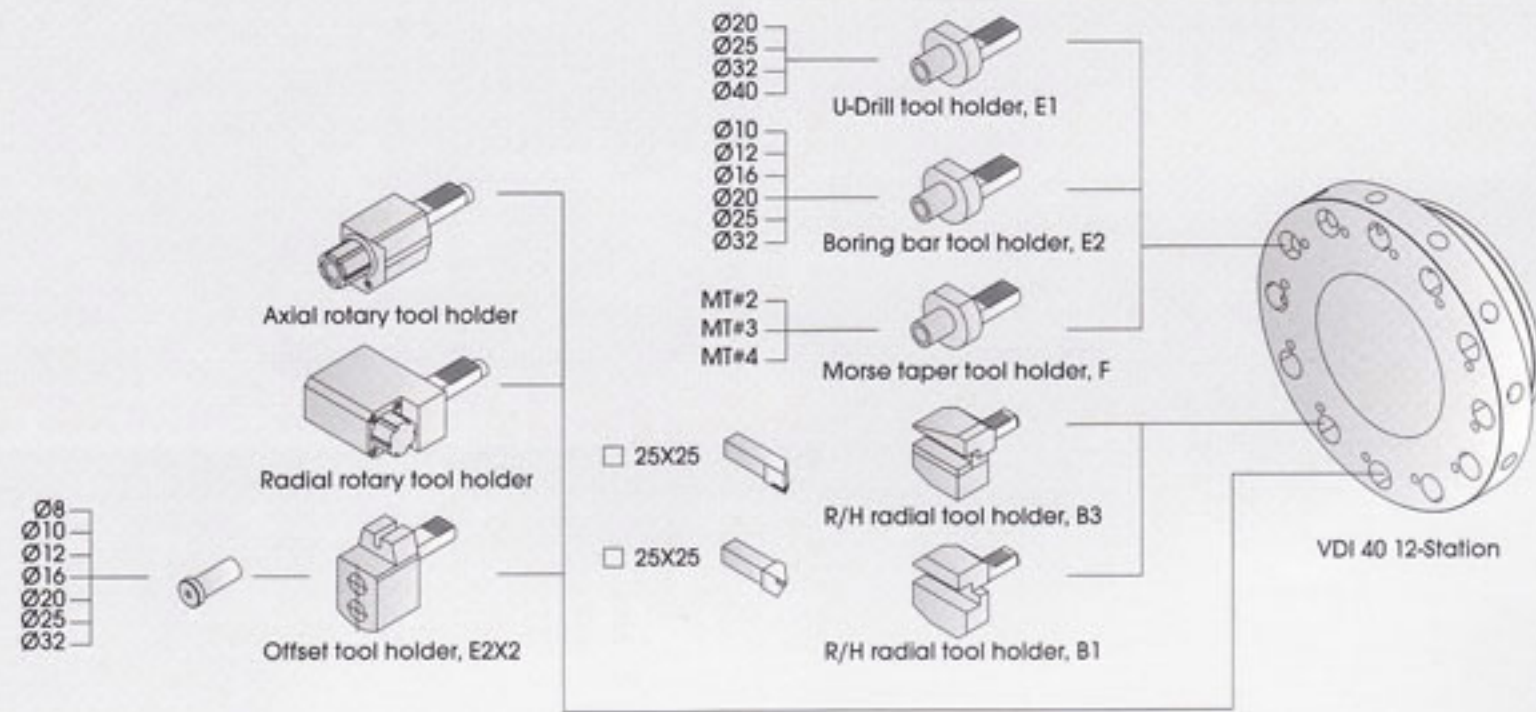


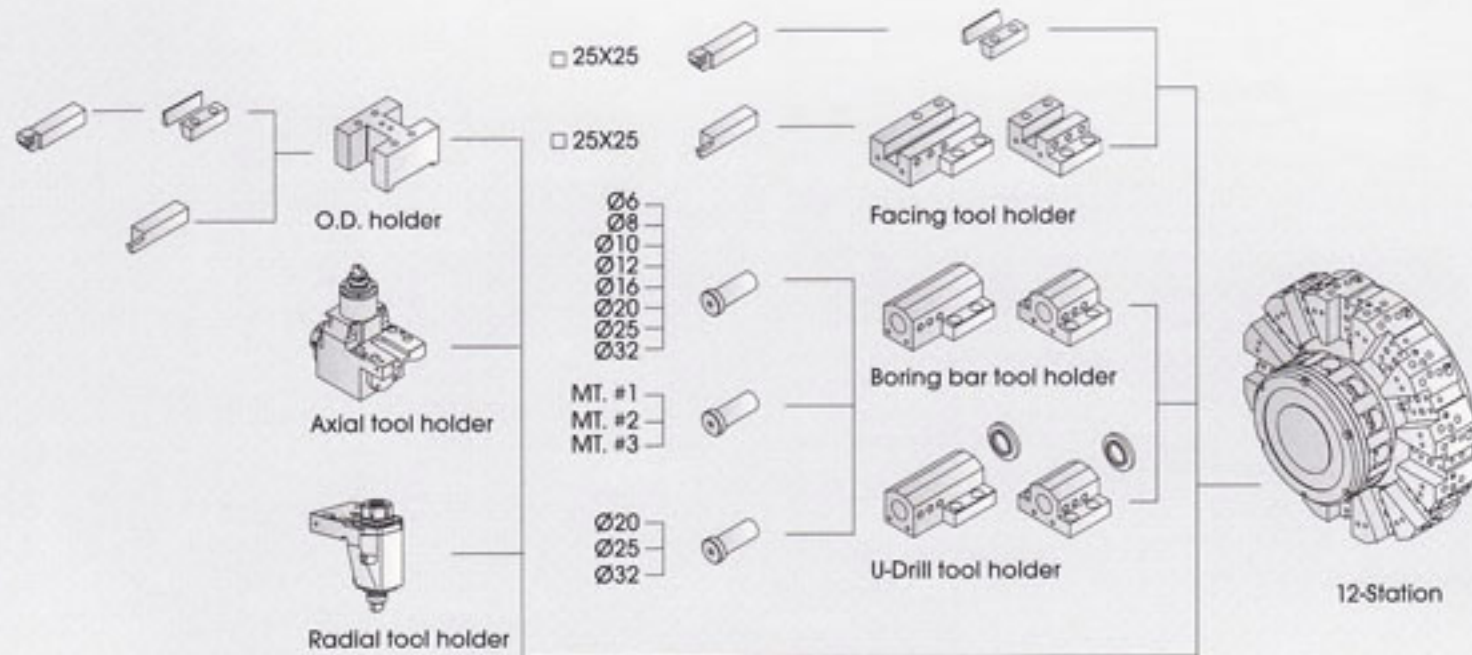
UT-300 Block tooling system



UT-300 VDI 40 tooling system



UT-300 Dodecagonal drum tooling system



UT-300/UT-300L Machine dimensions

MODEL	A	B	C	D
UT-300	3030	1830	1780	3763
UT-300L	3750	1830	1800	4483

