

Machine Specification**MCV300****Travel**

X-Axis	610 mm (24")
Y-Axis	305 mm (12")
Z-Axis	460 mm (18.1")
Spindle nose to table	70~530 mm (2.8~20.9")

Table

Table size	700 X 308 mm (27.6~12.1")
Floor to table	835 mm (32.9")
Max. table loading capacity	350 kgs (770Lbs)
T-slot (number x width x pitch)	4 X 16mm X 63.5 mm (4 X 0.6" X 2.5")
Spindle center to column	415 mm (16.3")

Feed system

Rapid traverse speed	X/Y: 20 M/min (787.4" / min) , Z:18 M/min (708.7" / min)
Feed motor (FANUC)	X/Y: 1.2kW (8Nm) , Z: 1.8kW (12Nm)
Ball screw diameter & pitch	32 mm / 10mm (1.3" / 0.4")
Cutting feed rate	1~10,000 mm / min (0.04~393.7")
Type of transmission	Direct mounting

Spindle

Type of tool shank	BT 40 / CAT 40 / DIN 69871A
Max. spindle speed	8,000 rpm / 10,000 rpm (Op)
Spindle motor	5.5 / 7.5 kW / 7.5 / 11 kW (Op)
Type of transmission	Belt

ATC

Tool storage capacity	10 tools	16 tools (Op)	24 tools (Op)
ATC type	Armless type		Arm type
Max. tool diameter	110 mm (4.3")	76 mm (3")	
Without adjacent tool	200 mm (7.9")	120 mm (4.7")	
Max. tool length	230 mm (9.1")	230 mm (9.1")	
Max. tool weight	8 kg (17Lbs)	7 Kg (15Lbs)	
Tool changing time (Tool to Tool)	7.5 sec	3.2 sec	
Tool changing time (Chip to Chip)	9.1 sec	5.5 sec	
Method of tool selection	By address code	random selection	
	bi~directional magazine rotation		
Tool display	Yes		
Special tool management	None	Yes	

Coolant system

Coolant tank size	160 L
Coolant capacity	150 L / min
Chip Flush capacity	Standard

Machine size

Machine height	2,400 mm (94.5")
Floor space	1,850 mm (72.8")(W) X 1,825 mm (71.9")(D)
weight	2,500 kgs (5500Lbs)

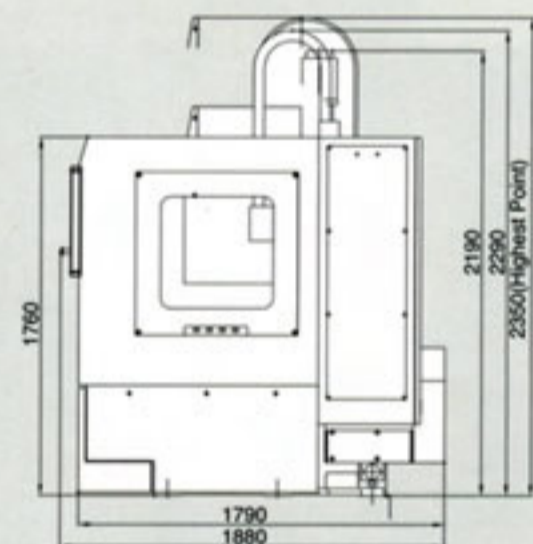
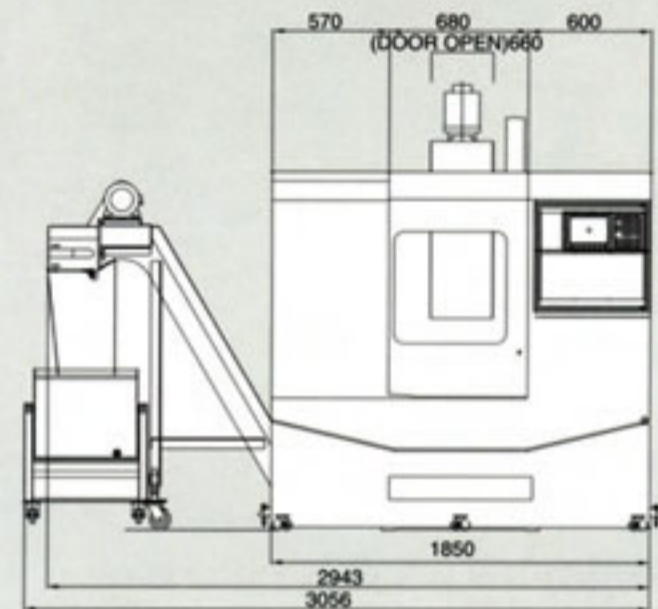
Power source

Electrical power supply	15 KVA/3PH · 220V 50/60HZ
Compressed air supply	6.0 kgf/cm ² (85psi) (0.6MPa)

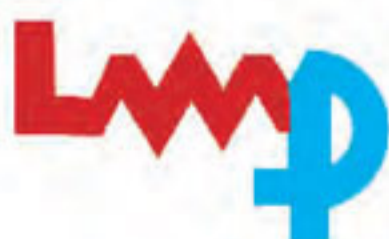
Controller

FANUC / HEIDENHAIN / SIEMENS

* Specifications may differ according to option accessories and are subject to change without notice. Edition / A02



MCV300



林寶機械貿易私人有限公司
LIM POH MACHINERY TRADING PTE LTD
 NO. 111, UBI AVE 4, CIVIC TERRACE WAREHOUSE SINGAPORE 408761.
 E-mail: enquiry@limpoh.com Website: http://www.limpoh.com
 TEL: 6846 1138 FAX: 6846 2832 H/P: 9788 0138