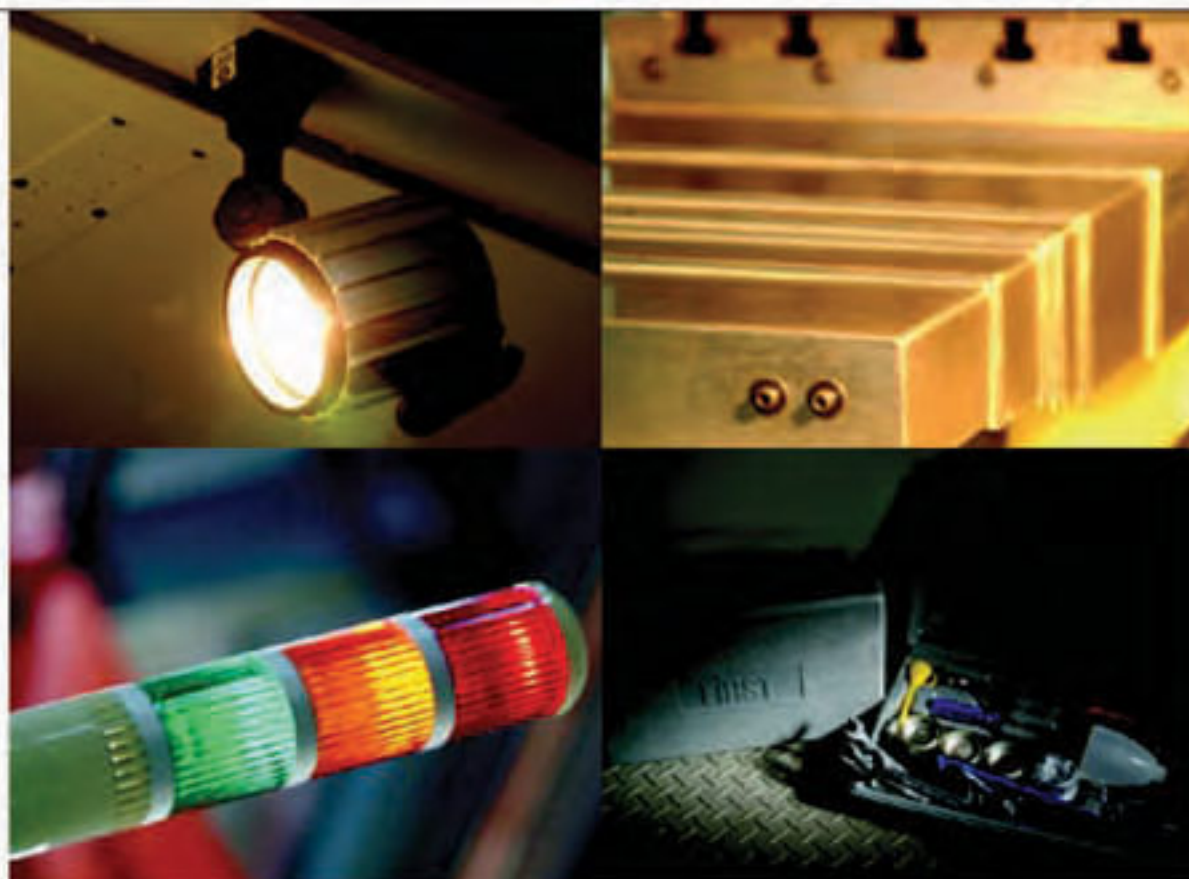
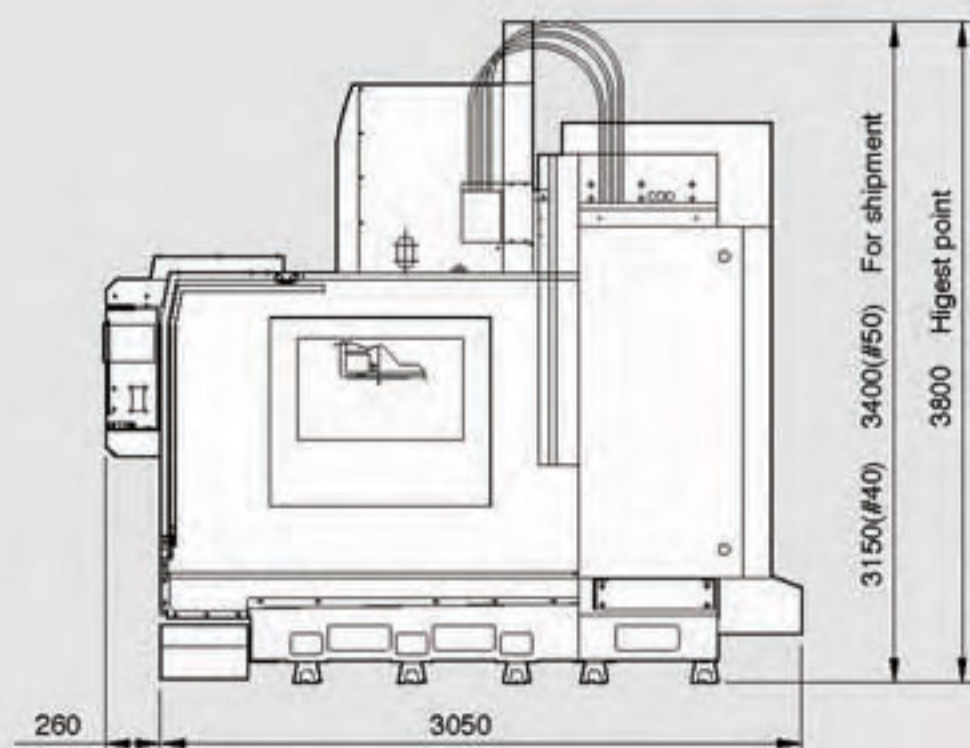


Unit:mm
Dimension:(MCV1300 / 1500)



STANDARD ACCESSORIES

- Armless type ATC (20 Tools)(MCVI300)
- Arm type ATC (24 Tools)(MCVI500)
- Fully enclosed splash guard
- Chip flush system
- Coolant system
- Coolant tank & chip collector
- Automatic lubrication system
- Telescopic covers
- Portable electronic handwheel (FANUC)
- Working light
- Alarm light
- Tool box
- Operator's manual and parts list
- Leveling bolts, pads and nuts



OPTIONAL ACCESSORIES

- Arm type ATC (24 or 32 tools)
- #40 High-speed Spindle 10,000 / 15,000 / 20,000 rpm
- Bigger spindle motor
- Spindle chiller
- Coolant through spindle system
- Air blow system for dry cutting
- coolant through tool arbor
- Spiral or flat type chip conveyor
- 4th or 4+5th axis rotary table
- High precision linear scale
- Working piece measurement system
- Tool length measurement system
- Heat exchanger on electrical cabinet
- Power transformer
- CE (Safety door interlock)