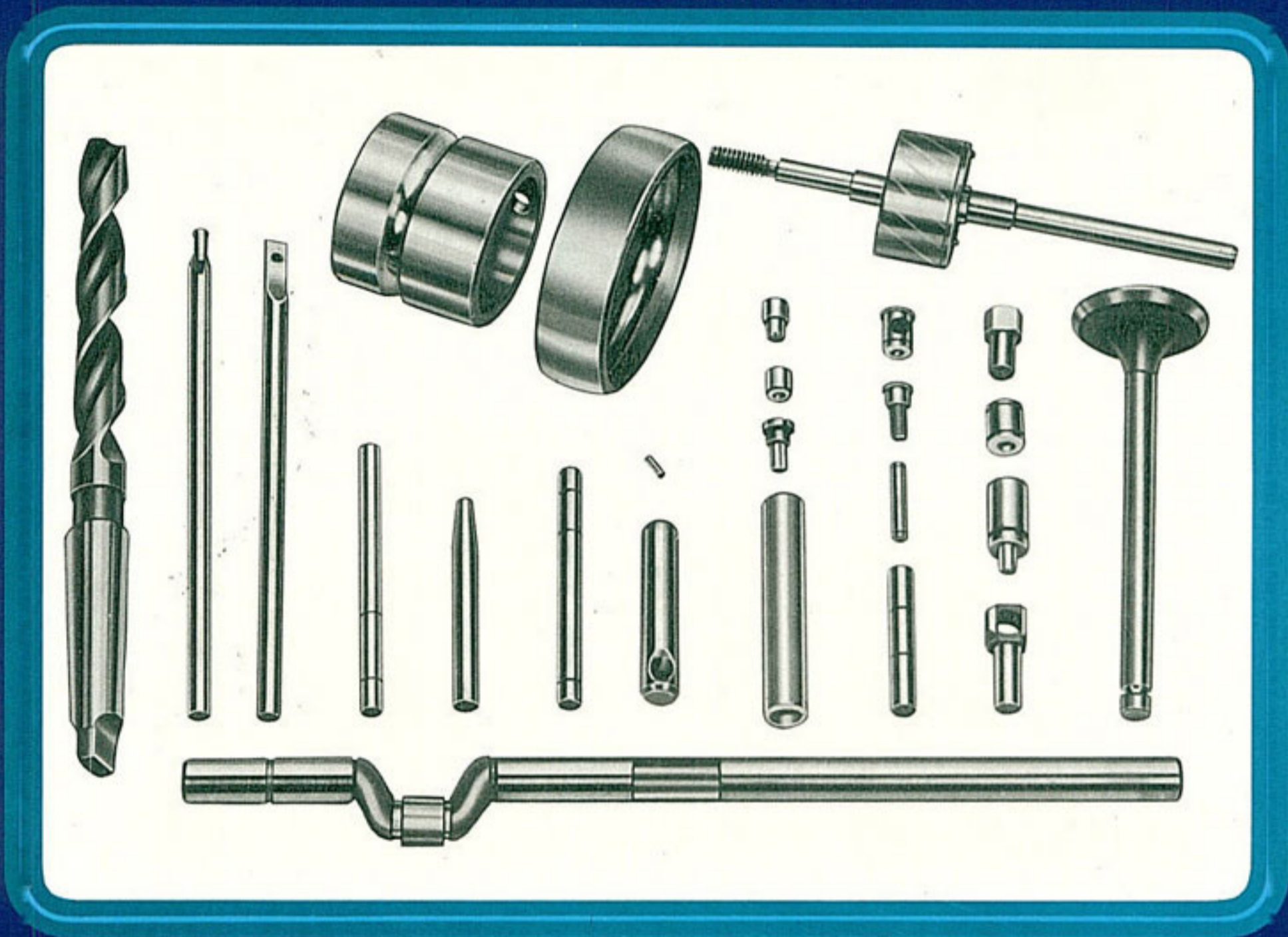
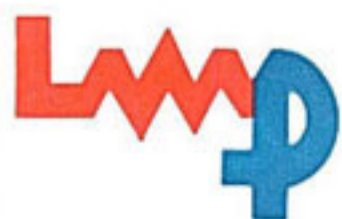


■加工樣品：WORK SAMPLES



■標準附件：STANDARD EQUIPMENT

1. 電氣標準附件 Standard electrical equipment... 1set
2. 研磨砂輪及法蘭 Grinding wheel with flange... 1set
3. 調整輪及法蘭 Regulating wheel with flange... 1set
4. 通過型工作台 Thrufeed work rest (std.)... 1set
5. 停止型工作台 Infeed work rest(std.)... 1set
6. 鑽石修針 Diamond tools for truing... 2pcs.
7. 工作物支持板 Work support blades(carbide)... 2pcs.
8. 冷卻標準附件 Standard coolant equipment... 1set
9. 工具 Spanners, wrenches, etc. ... 1set



林寶機械貿易私人有限公司

LIM POH MACHINERY TRADING PTE LTD

NO. 111, UBI AVE 4, CIVIC TERRACE WAREHOUSE, SINGAPORE 408761.

E-mail: enquiry@limpoh.com Website: <http://www.limpoh.com>

TEL: 6846 1138 FAX: 6841 2832 H/P: 9788 0138