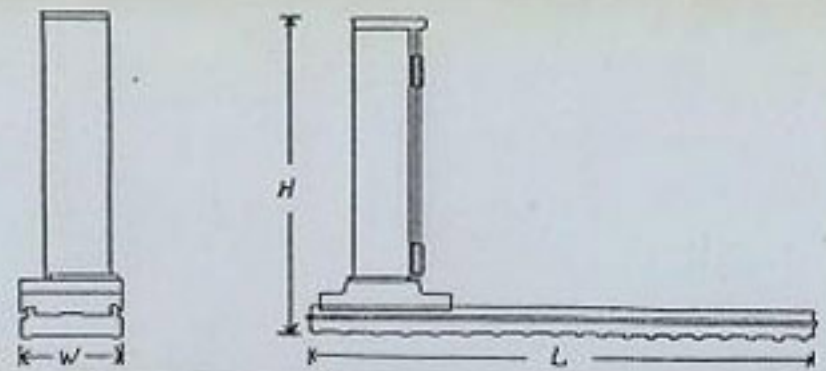


HORIZONTAL BORING AND MILLING MACHINE

落地式搪銑床



SPECIFICATIONS:

Description	內 容	單位 unit	CBM-1500	CBM-2000	CBM-2500	CBM-3000	CBM-4000	
Working capacity (L x H)	工作容量(L x H)	MM	1500 x 1500	2000 x 1500	2500 x 1500	3000 x 3000	4000 x 3000	
Milling head vertical travel	銑頭垂直行程	MM	300					
Milling head taper of spindle nose	銑頭主軸孔斜度	#	NT50					
Spindle change speed 6 sections	主軸變速6段	SEC.	100-680R.P.M.					
Spindle feed	主軸進刀精度	MM	0.02					
Max. diameter of cutter	銑刀最大直徑	MM	200MM (8")					
Spindle motor	主軸馬達	HP	10HP/4P/3Ø/60HZ					
Table milling feed	床枱銑削進給	MM/MIN	200-1400					
Table speed feed	床枱快速進給	MM/MIN	1400					
Table DC motor	床枱馬達DC	HP	7 1/2			10		
Vertical milling elevation feed	端銑昇降進給	MM/MIN	200-1400					
Vertical milling speed feed	端銑快速進給	MM/MIN	1400					
Vertical milling DC motor	端銑馬達DC	HP	5			5		
Table automatic lubrication	床枱自動潤滑AC	HP	1/8 HP/4P/3Ø/60HZ					
Table anti-dust cover	床枱防塵蓋	SET	2					
Electric control system	電控系統	SET	1					
Milling cooling system (exclude recollected cooling system)	銑削冷卻系統	HP	1/4 (不會冷卻回收系統)					
Length	長(L)	MM	5550	6050	6550	8570	9570	
Width	寬(W)	MM	1,350			1,500		
Height	高(H)	MM	3,250			4,750		
Special accessories	特別附件							
Cutter	平面銑刀	MM	200MM (8")					
Handle of cutter	刀把	#	NT50					

Due to constant researches, development, improvement, all specifications and designs are subject to change without notice

由於不斷的研究發展改進，規格設計如有變更，恕不另行通知。



林寶機械貿易私人有限公司

LIM POH MACHINERY TRADING PTE LTD

NO. 111, UBI AVE 4, CIVIC TERRACE WAREHOUSE, SINGAPORE 408761.

E-mail: enquiry@limpoh.com Website: http://www.limpoh.com

TEL: 6846 1138 FAX: 6841 2832

GST Reg. No. M2-0067812-5 Business Reg. No. 198404054E