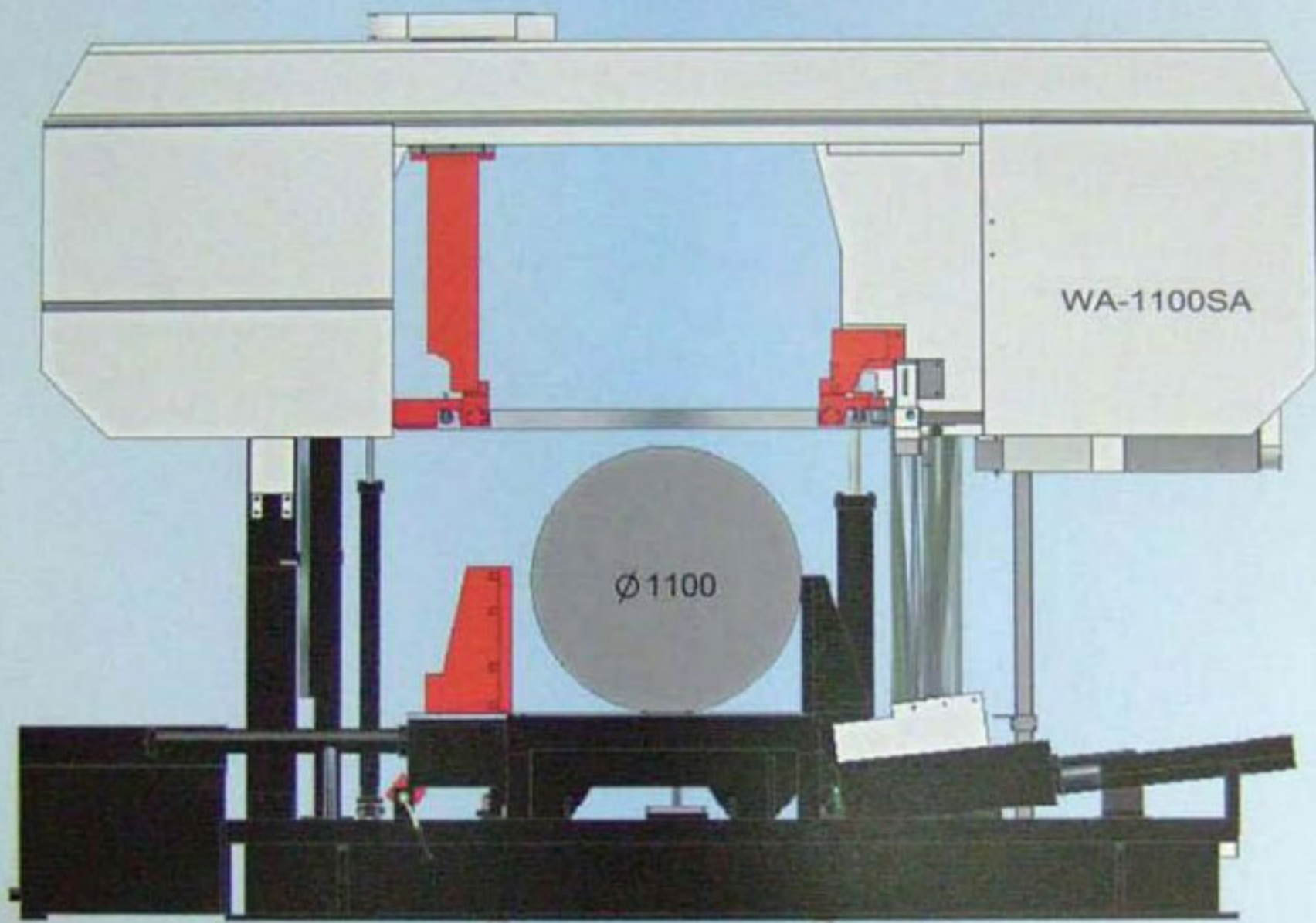


Column Type Semi-Auto Band Saw

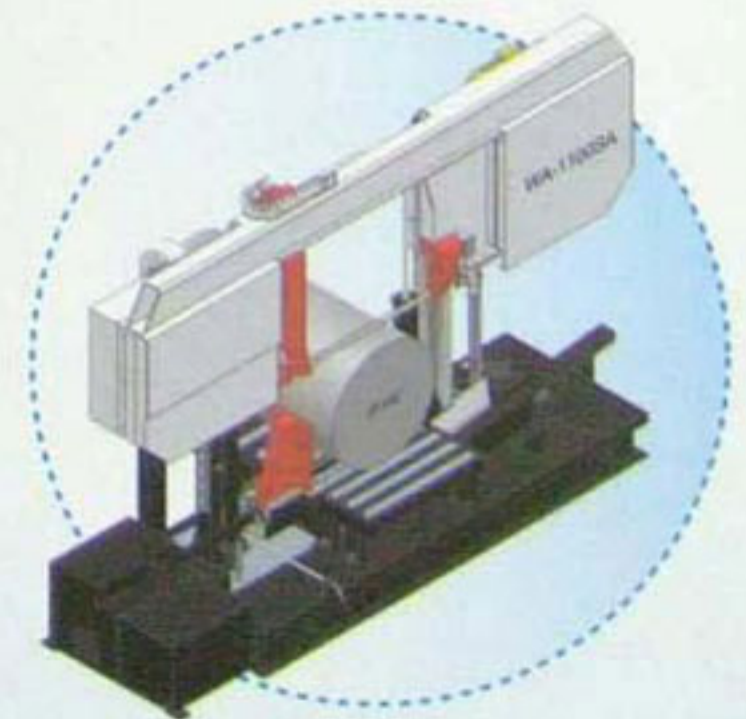
雙柱式半自動帶鋸機

- Economic
- Efficiency
- Rapidly
- Stable



Specifications / 規格表

Model 型號	WA-1100SA
Capacity 鋸切能力	90° ● 1,100 mm ■ 1,100 x 1,100mm
Blade size 鋸帶尺寸	67 x 1.6 x 10,000 mm
Blade speed 鋸帶速度	20 ~ 80 mpm
Blade motor 鋸帶馬達	15HP (11 KW)
Hydraulic motor 油壓馬達	5 HP (3.7 KW)
Coolant motor 冷卻馬達	1/4HP (0.18KW)
Hydraulic tank 油壓箱容量	100 Liter
Coolant tank 水箱容量	140 Liter
Packing size 裝箱尺寸	4,900 x 2,500 x 3,300 mm (L x W x H)
Table height 工作台高度	800 mm
N.W 機台重量	8,800 kg



林寶機械貿易私人有限公司

LIM POH MACHINERY TRADING PTE LTD

NO. 111, UBI AVE 4, CIVIC TERRACE WAREHOUSE, SINGAPORE 408761.

E-mail: enquiry@limpoh.com Website: <http://www.limpoh.com>

TEL: 6846 1138 FAX: 6841 2832

GST Reg. No. M2-0067612-5 Business Reg. No. 198404054E